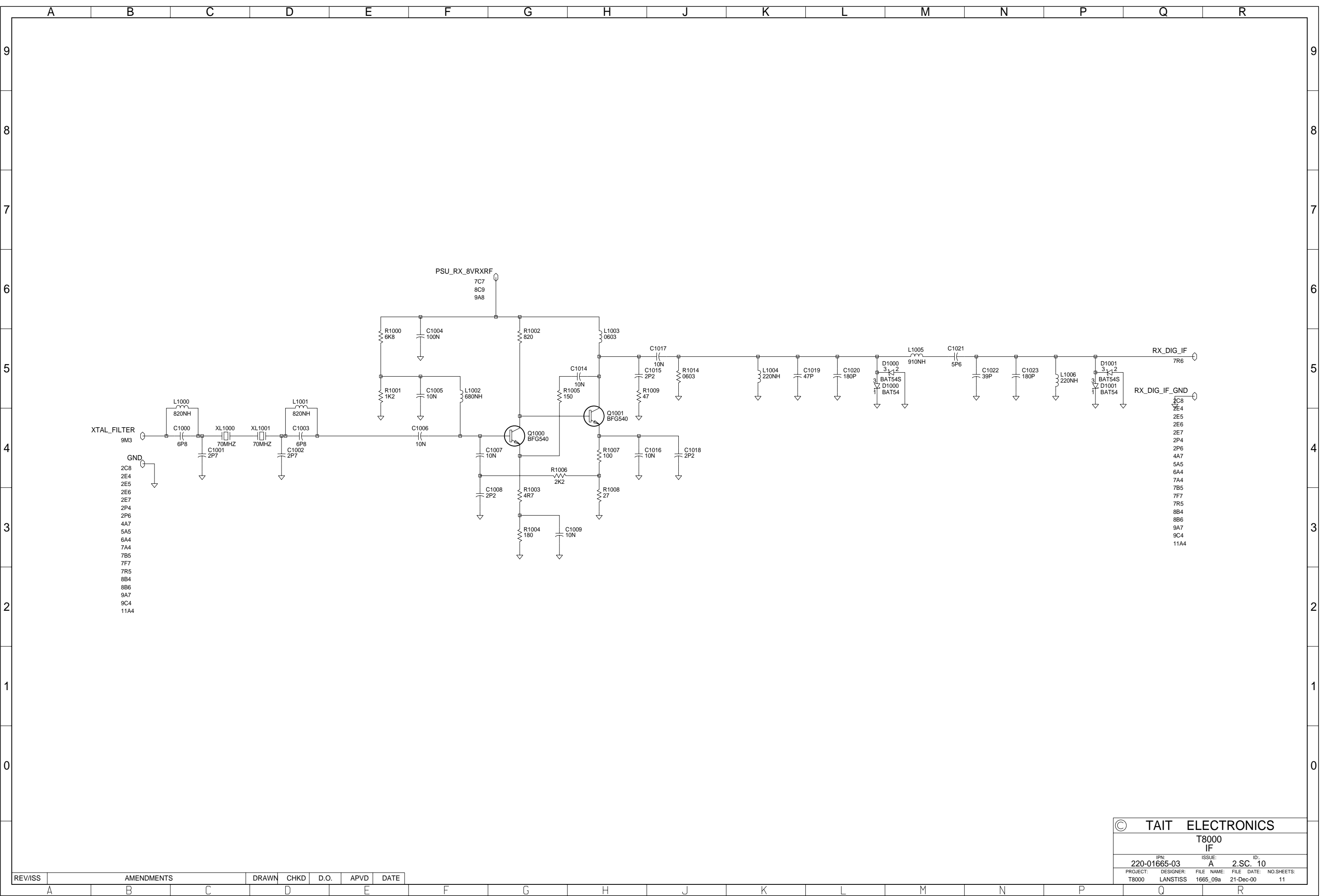


TAIT ELECTRONICS			
T8000 RECITER PCB			
IPN: 220-01665-03	ISSUE: A	ID: 2.SC. 1	
PROJECT: T8000	DESIGNER: LANSTISS	FILE NAME: 1665_09a	FILE DATE: 21-Dec-00
		NO. SHEETS: 11	

0A	ORIGINAL	BEN C			24/10/00
REV/ISS	AMENDMENTS	DRAWN	CHKD	D.O.	APVD DATE

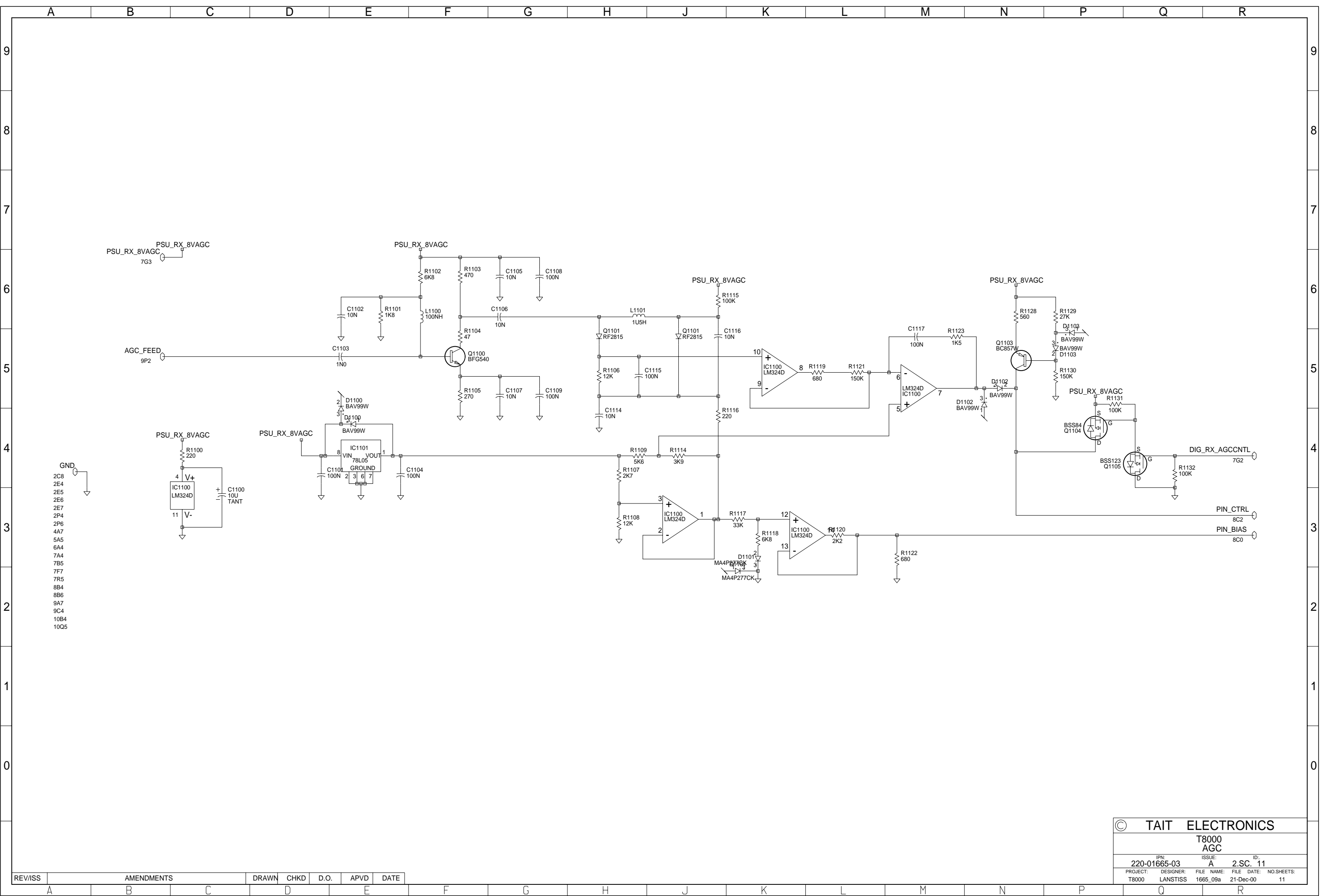


© TAIT ELECTRONICS

T8000
IF

IPN:	ISSUE:	ID:
220-01665-03	A	2.SC. 10
PROJECT:	DESIGNER:	FILE NAME:
T8000	LANSTISS	1665_09a
		FILE DATE:
		21-Dec-00
		NO.SHEETS:
		11

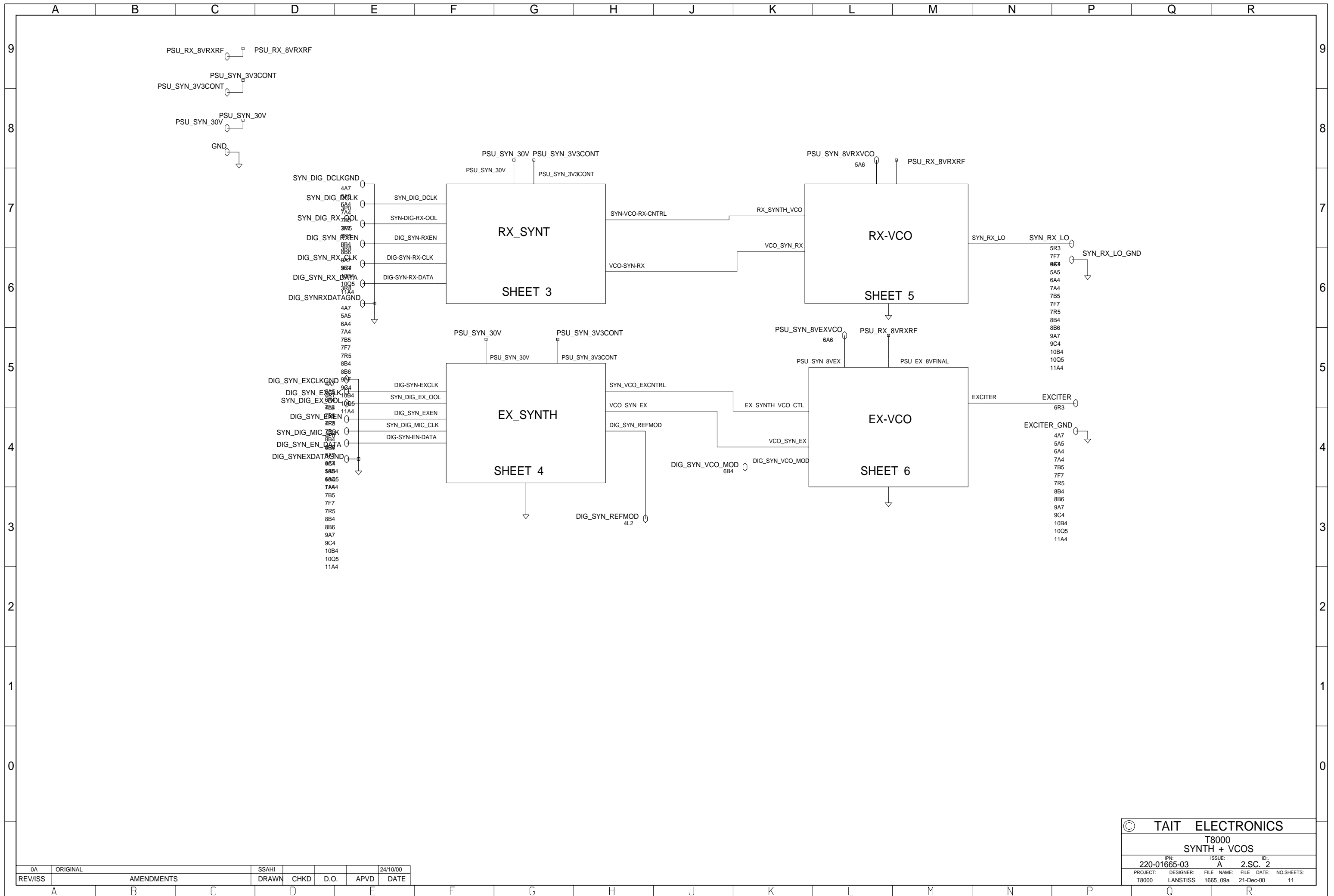
REV/ISS	AMENDMENTS	DRAWN	CHKD	D.O.	APVD	DATE
A						
B						
C						
D						
E						
F						
G						
H						
J						
K						
L						
M						
N						
P						
Q						
R						



- 2C8
- 2E4
- 2E5
- 2E6
- 2E7
- 2P4
- 2P6
- 4A7
- 5A5
- 6A4
- 7A4
- 7B5
- 7F7
- 7R5
- 8B4
- 8B6
- 9A7
- 9C4
- 10B4
- 10Q5

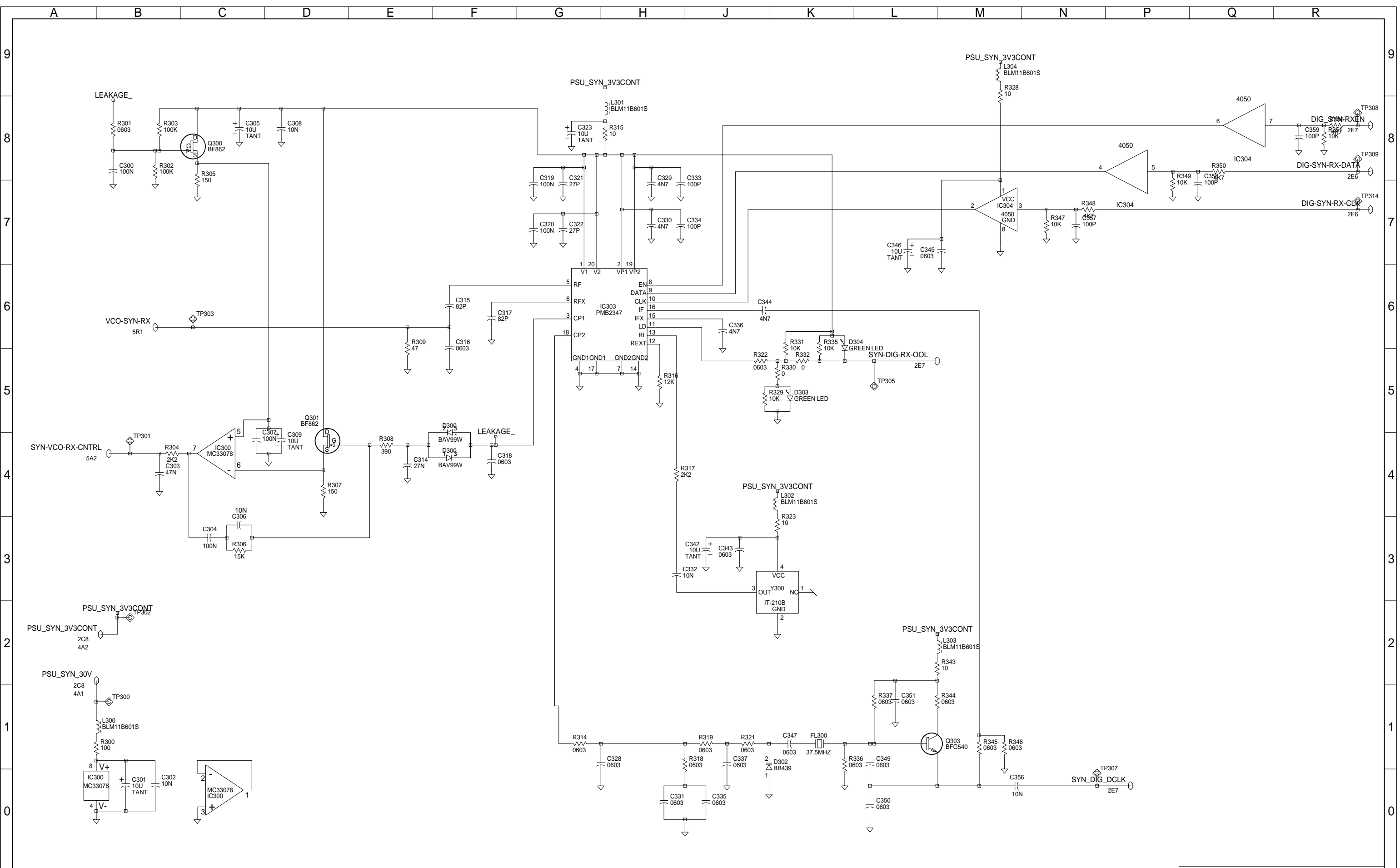
© TAIT ELECTRONICS			
T8000 AGC			
IPN: 220-01665-03	ISSUE: A	ID: 2.SC. 11	
PROJECT: T8000	DESIGNER: LANSTISS	FILE NAME: 1665_09a	FILE DATE: 21-Dec-00
NO. SHEETS: 11			

REV/ISS	AMENDMENTS	DRAWN	CHKD	D.O.	APVD	DATE
A						

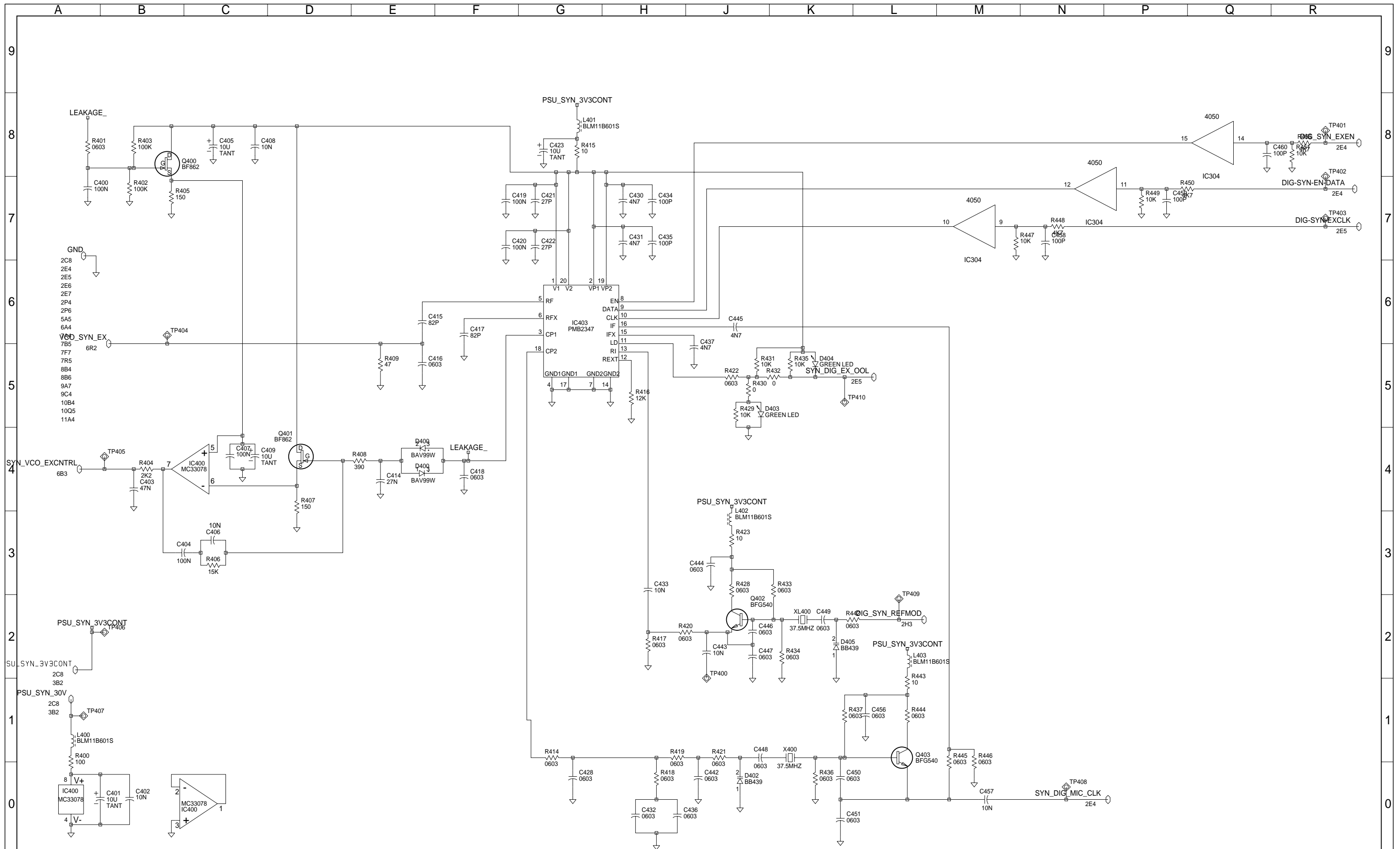


© TAIT ELECTRONICS			
T8000 SYNTH + VCOS			
IPN: 220-01665-03	ISSUE: A	ID: 2.SC. 2	
PROJECT: T8000	DESIGNER: LANSTISS	FILE NAME: 1665_09a	FILE DATE: 21-Dec-00
NO. SHEETS: 11			

0A	ORIGINAL	SSAHI			24/10/00
REV/ISS	AMENDMENTS	DRAWN	CHKD	D.O.	APVD DATE



REV/ISS	AMENDMENTS	DRAWN	CHKD	D.O.	APVD	DATE



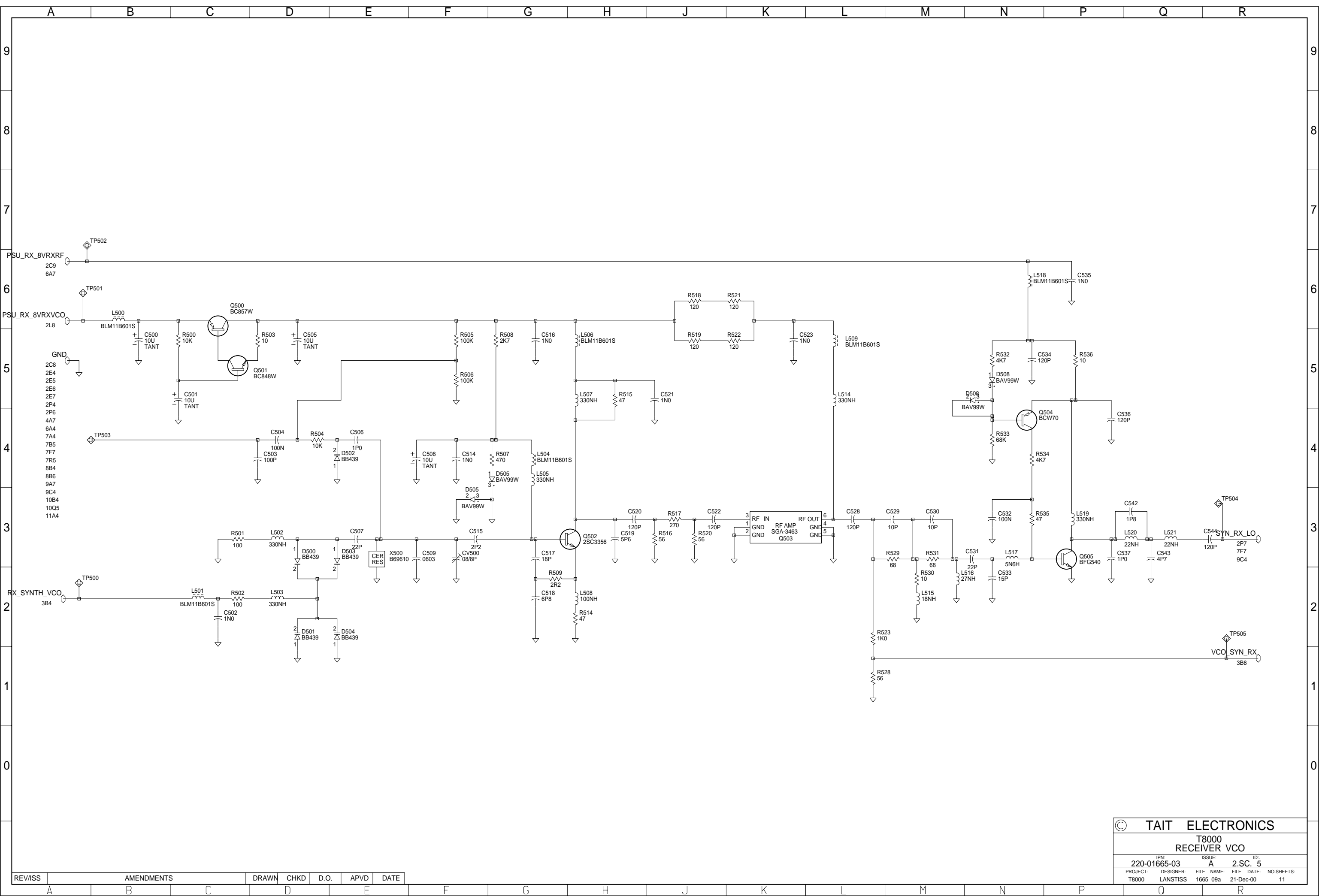
© TAIT ELECTRONICS

T8000
EXCITER SYNTH

IPN: 220-01665-03 ISSUE: A ID: 2.S.C. 4

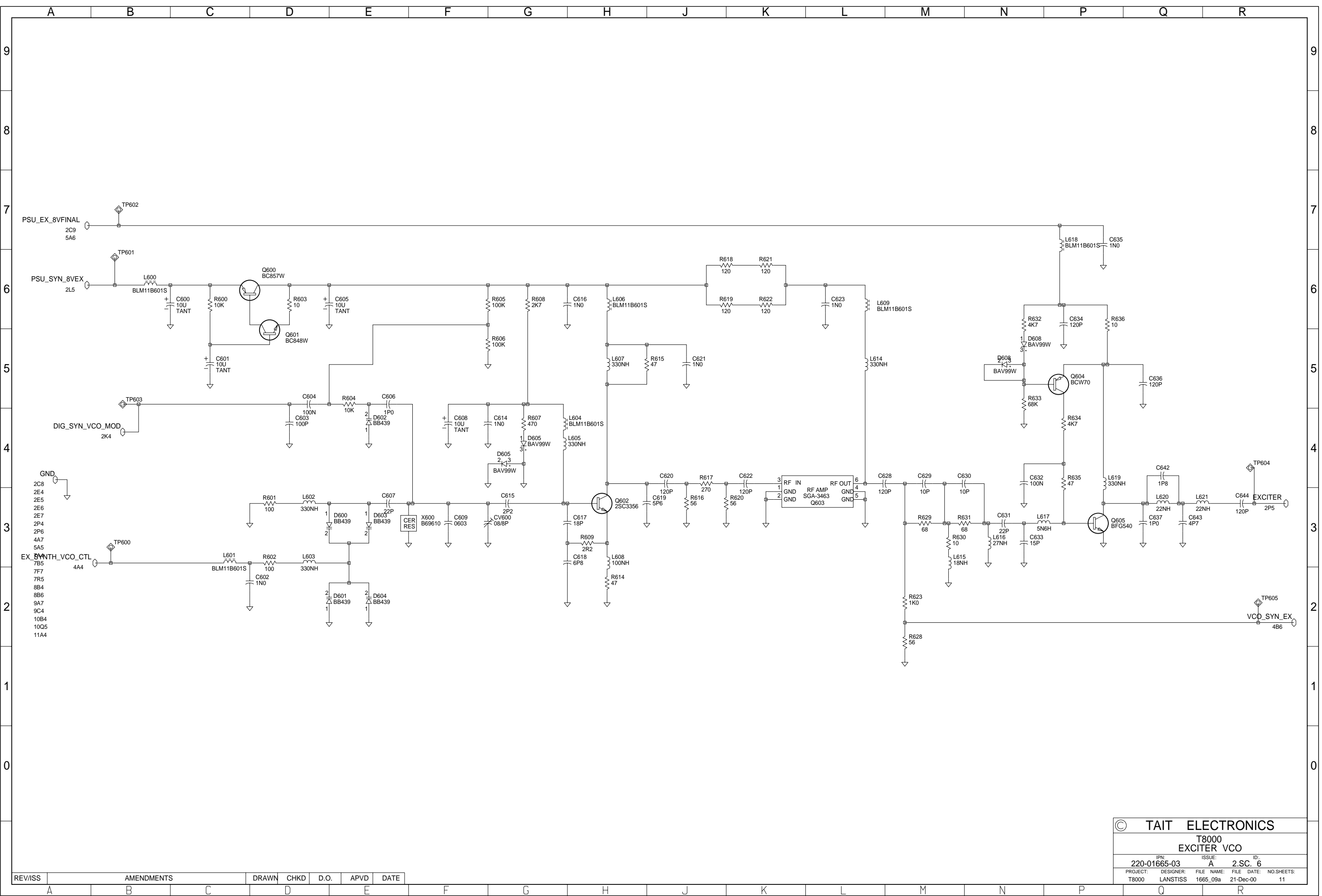
PROJECT: T8000 DESIGNER: LANSTISS FILE NAME: 1665_09a FILE DATE: 21-Dec-00 NO.SHEETS: 11

REV/ISS	AMENDMENTS	DRAWN	CHKD	D.O.	APVD	DATE
A						
B						
C						
D						
E						
F						



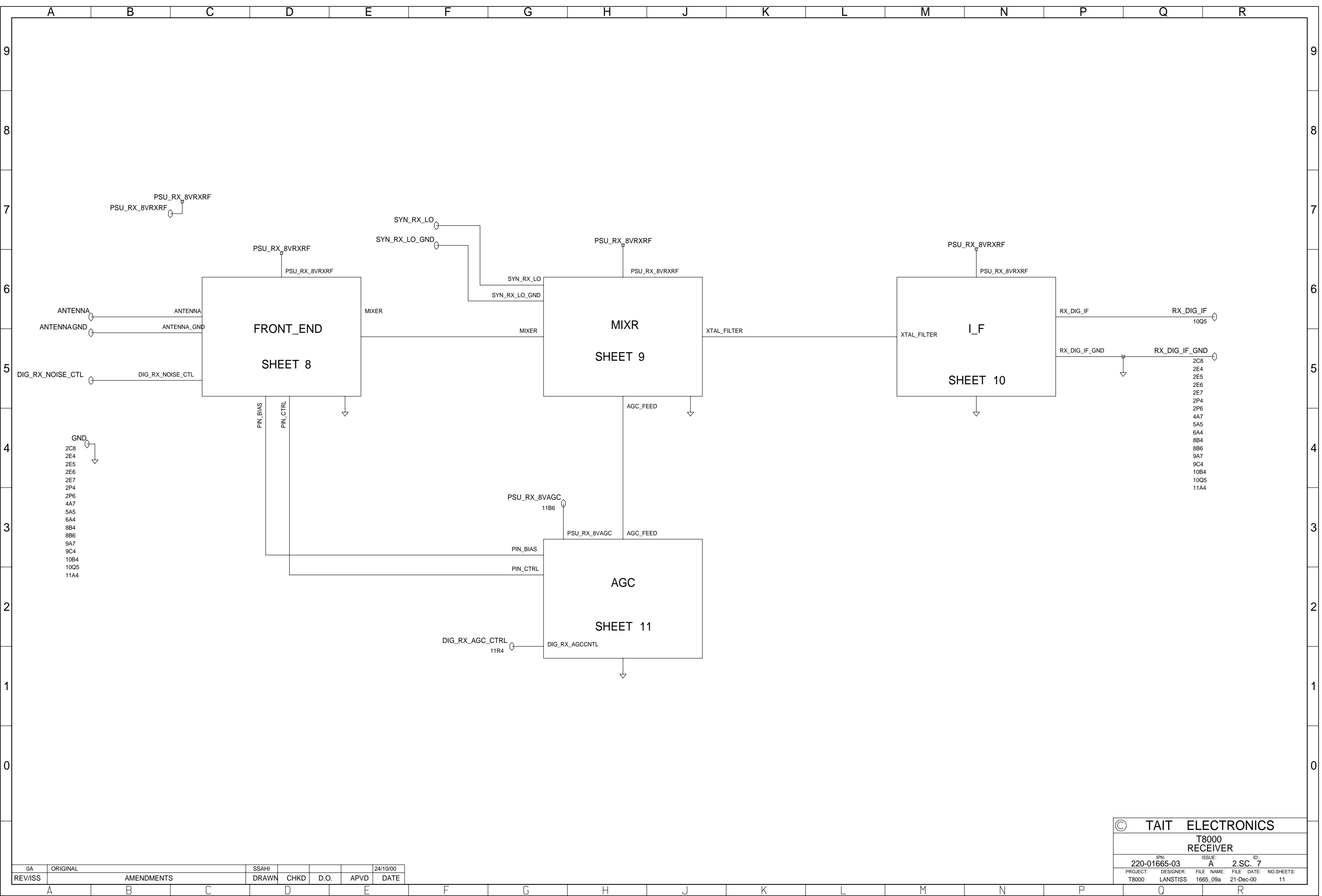
© TAIT ELECTRONICS			
T8000 RECEIVER VCO			
IPN: 220-01665-03	ISSUE: A	ID: 2.SC. 5	
PROJECT: T8000	DESIGNER: LANSTISS	FILE NAME: 1665_09a	FILE DATE: 21-Dec-00
			NO.SHEETS: 11

REV/ISS	AMENDMENTS	DRAWN	CHKD	D.O.	APVD	DATE



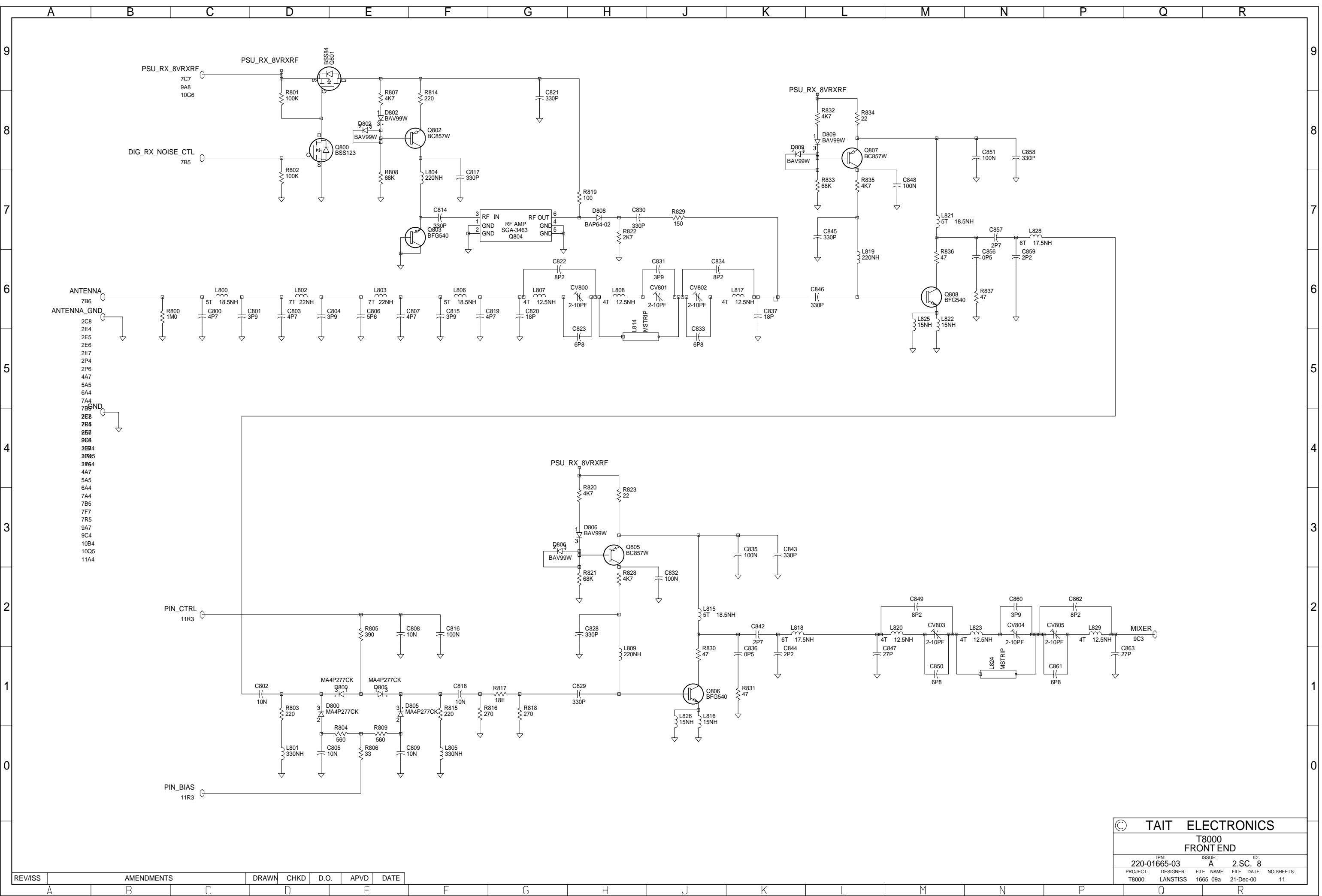
TAIT ELECTRONICS			
T8000 EXCITER VCO			
IPN: 220-01665-03	ISSUE: A	ID: 2.SC. 6	
PROJECT: T8000	DESIGNER: LANSTISS	FILE NAME: 1665_09a	FILE DATE: 21-Dec-00
			NO. SHEETS: 11

REV/ISS	AMENDMENTS	DRAWN	CHKD	D.O.	APVD	DATE
A						



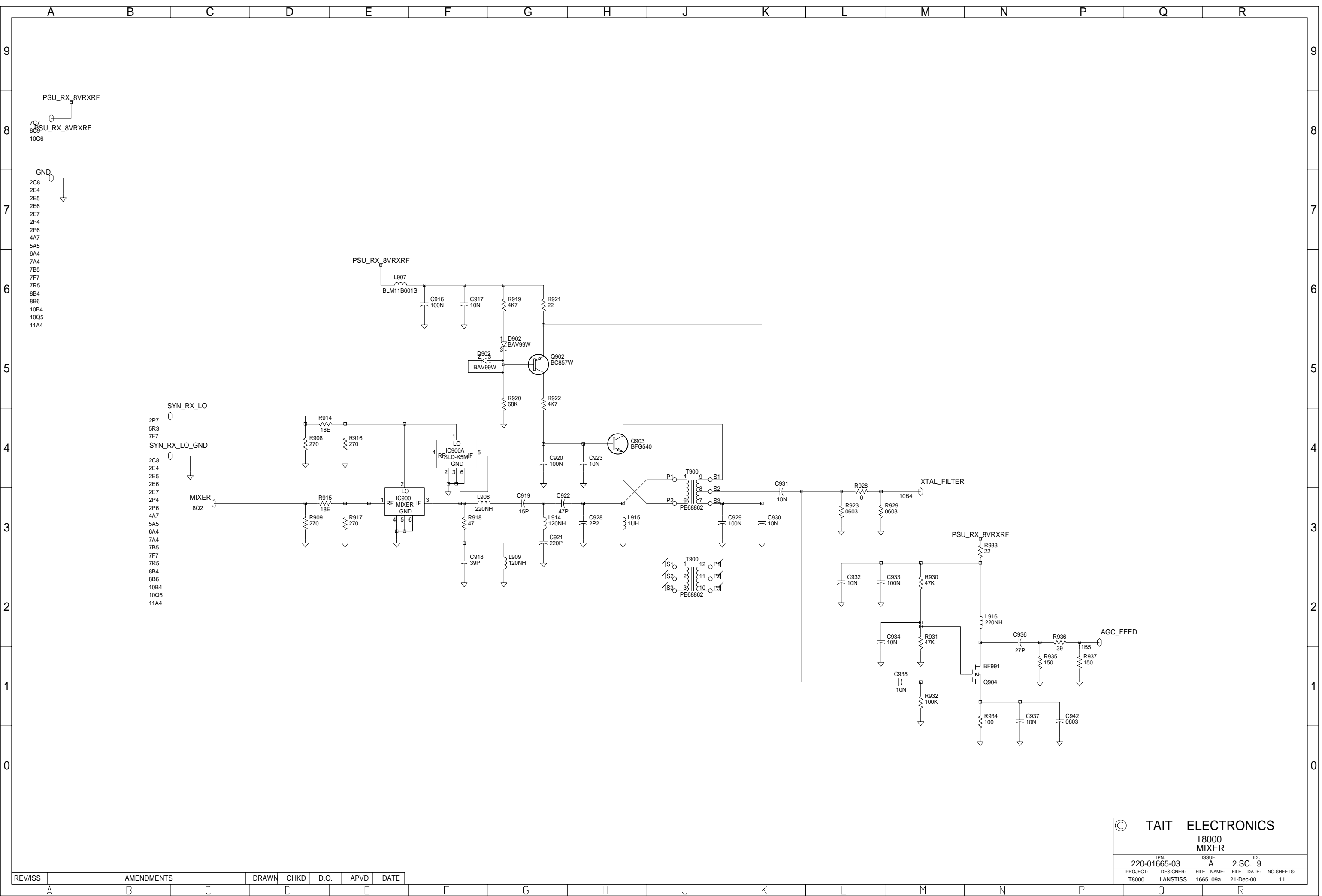
0A	ORIGINAL	SSAHI				24/10/00
REV/ISS	AMENDMENTS	DRAWN	CHKD	D.O.	APVD	DATE

© TAIT ELECTRONICS
T8000 RECEIVER
 IPN: 220-01665-03 ISSUE: A ID: 2.SC. 7
 PROJECT: T8000 DESIGNER: LANSTISS FILE NAME: 1665_09a FILE DATE: 21-Dec-00 NO. SHEETS: 11



REV/ISS	AMENDMENTS	DRAWN	CHKD	D.O.	APVD	DATE
A						

© TAIT ELECTRONICS
T8000 FRONT END
 IPN: 220-01665-03 ISSUE: A ID: 2.S.C. 8
 PROJECT: T8000 DESIGNER: LANSTISS FILE NAME: 1665_09a FILE DATE: 21-Dec-00 NO.SHEETS: 11



PSU_RX_8VRXRF
7C7
8C3
10G6

GND
2C8
2E4
2E5
2E6
2E7
2P4
2P6
4A7
5A5
6A4
7A4
7B5
7F7
7R5
8B4
8B6
10B4
10Q5
11A4

SYN_RX_LO
2P7
5R3
7F7
SYN_RX_LO_GND
2C8
2E4
2E5
2E6
2E7
2P4
2P6
4A7
5A5
6A4
7A4
7B5
7F7
7R5
8B4
8B6
10B4
10Q5
11A4

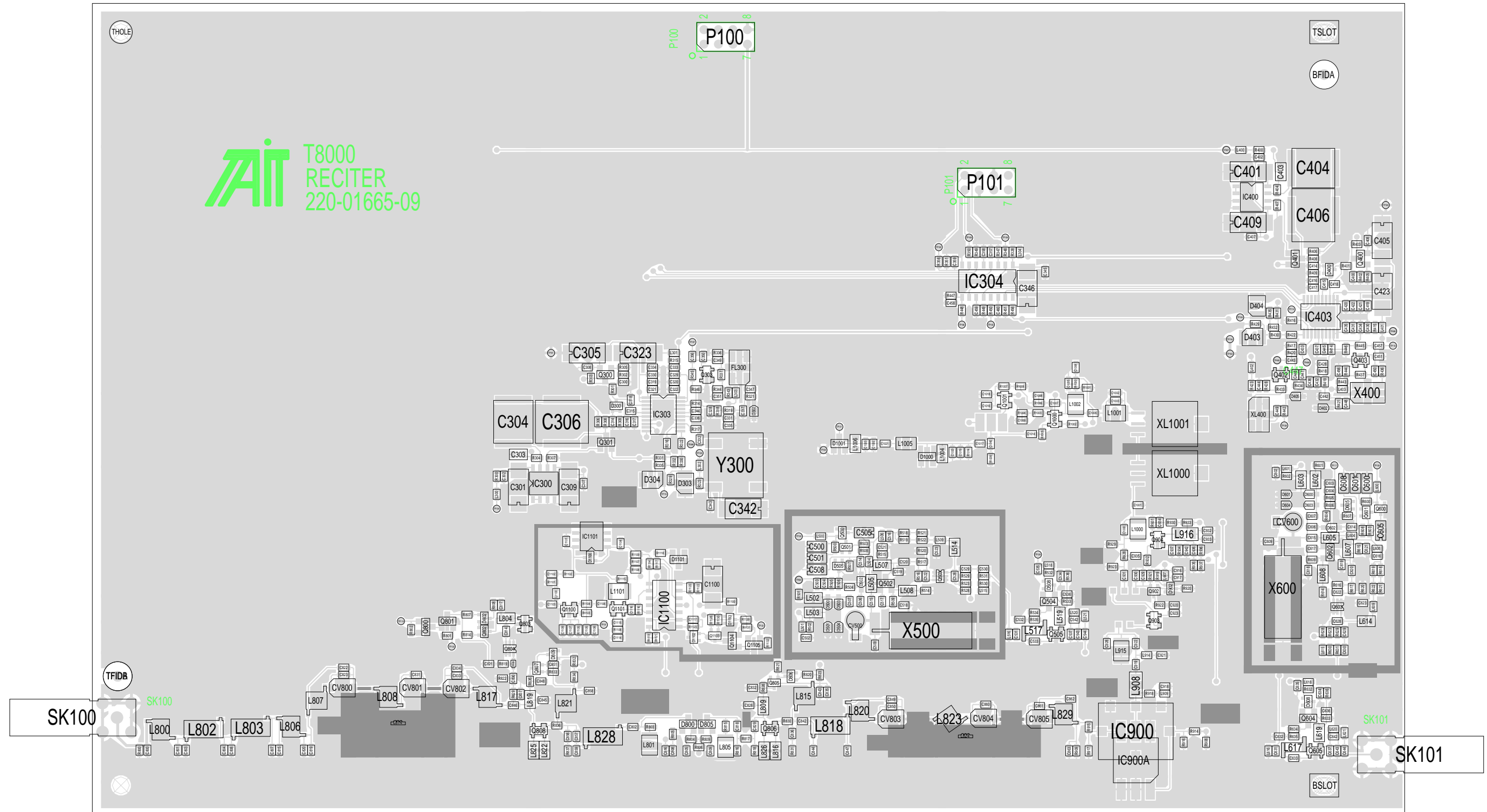
MIXER
8Q2

PSU_RX_8VRXRF
R933
22
L916
220NH
C936
27P
R936
39
R935
150
R937
150
AGC_FEED
1B5
R934
100
C937
10N
C942
0603

© TAIT ELECTRONICS			
T8000 MIXER			
IPN: 220-01665-03	ISSUE: A	ID: 2.SC. 9	
PROJECT: T8000	DESIGNER: LANSTISS	FILE NAME: 1665_09a	FILE DATE: 21-Dec-00
			NO.SHEETS: 11

REV/ISS	AMENDMENTS	DRAWN	CHKD	D.O.	APVD	DATE
A						

AIT T8000
RECITER
220-01665-09



TAIT ELECTRONICS	IPN: DIGITAL	ISS: 0	ID: 1.TA	DATE: 22 Dec 2000
1665_09A PCB LAYOUT - TOP SIDE				

Scale: 1.4:1 ; Rotation: 0 degrees